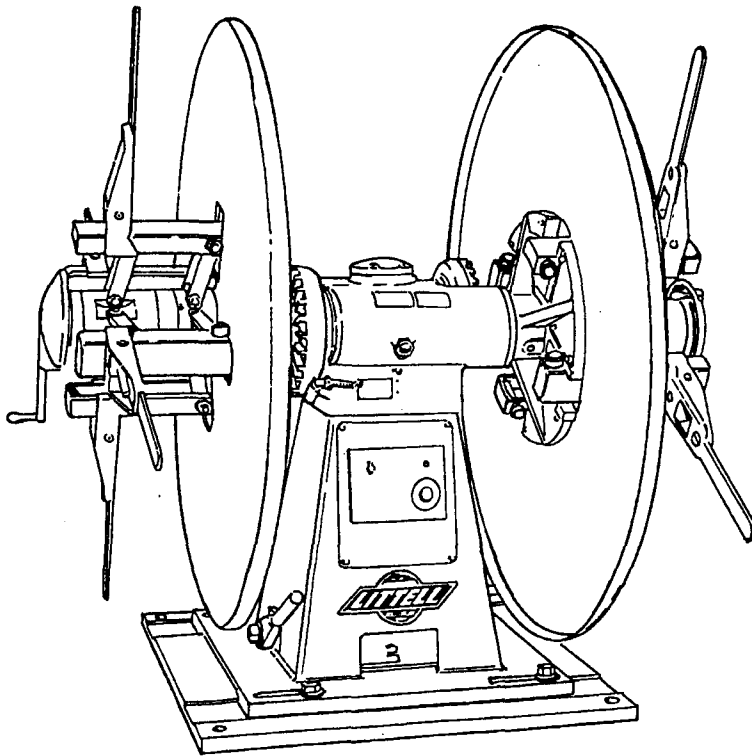


**NUMBER 40 DOUBLE AUTOMATIC CENTERING REEL
WITH ELECTRIC BRAKES**



CAPACITIES

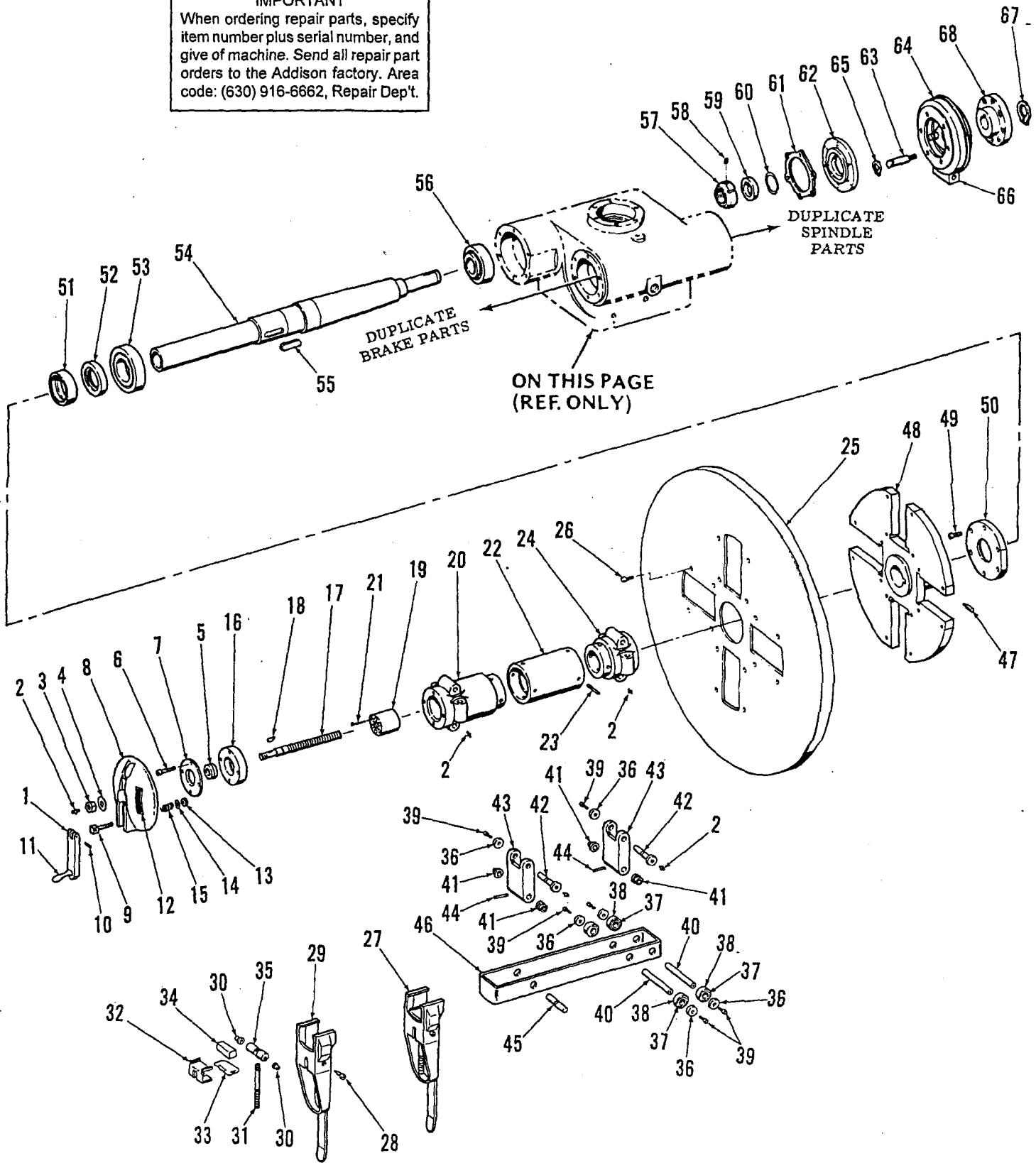
SIZE OF REEL	40-12	40-18	40-24
MAX WIDTH	12"	18"	24"
MAX WEIGHT OF COIL ON EACH SIDE	4,000 pounds		
INSIDE DIA. OF 4-ARM REEL	15"-20" or 19"-24"		
MAX OUTSIDE DIA.	60"		

CONTENTS

EXPLODED VIEWS 2 - 3
PARTS LIST 4 - 5
WIRING DIAGRAM 6

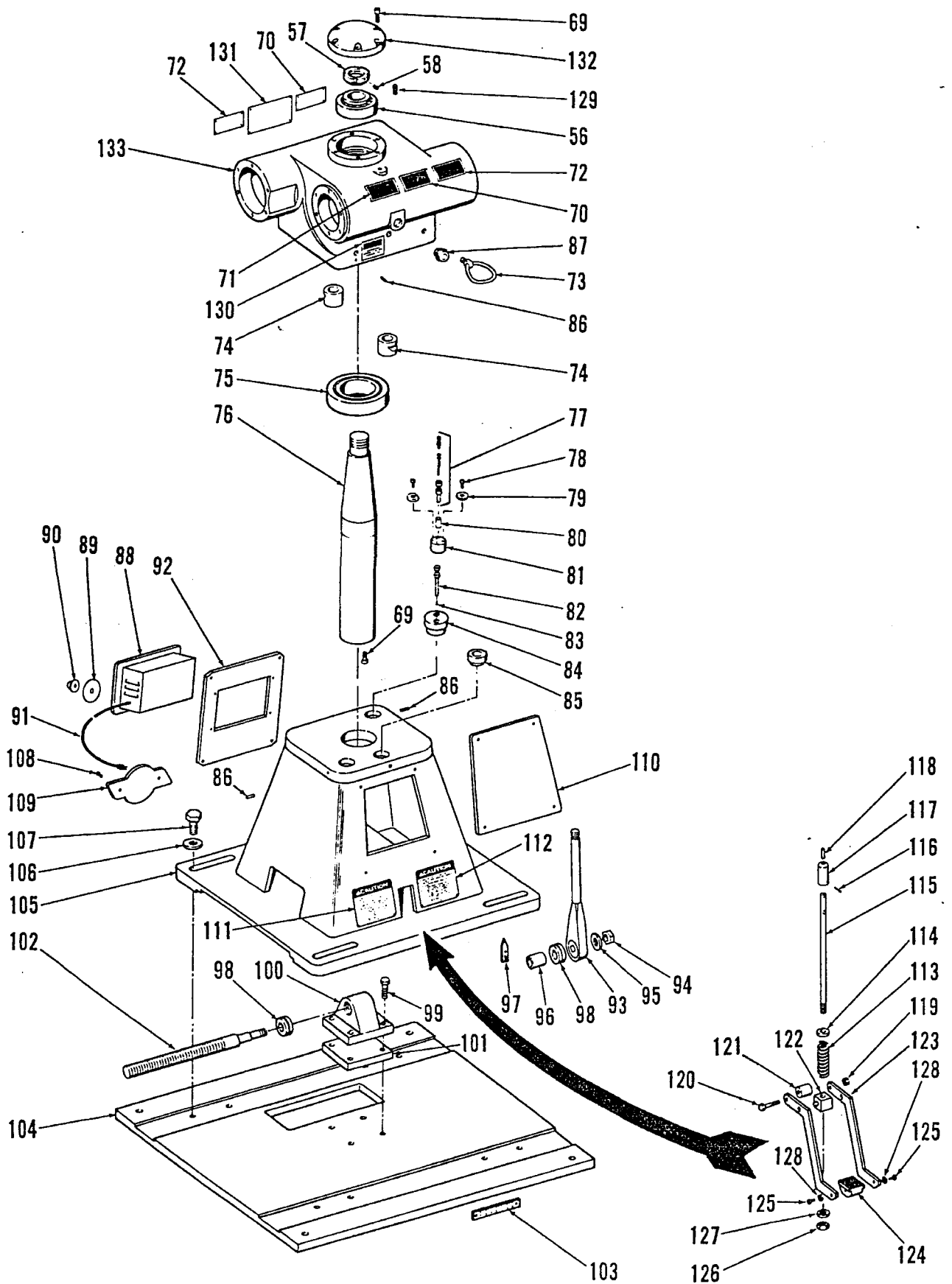
LITTELL INTERNATIONAL, INC.
145 SWIFT ROAD, ADDISON, ILLINOIS 60101-1407, U.S.A.
AREA CODE: (630) 916-6662 LITTELL TELEFAX: (630) 916-6663
SERVICE DEPARTMENT TELEFAX: (630) 916-6664

IMPORTANT
When ordering repair parts, specify item number plus serial number, and give of machine. Send all repair part orders to the Addison factory. Area code: (630) 916-6662, Repair Dep't.



NUMBER 40 DOUBLE AUTOMATIC CENTERING REEL
WITH ELECTRIC BRAKES

LITTELL



PARTS LIST

ITEM NO.	DESCRIPTION	ITEM NO.	DESCRIPTION
1	Bar, Handle	44	Pin, Roll (Esna No. 59-048-250-1500)
2	Fitting, Grease (Alemite) No. 1610, 1/8" I.P.S.	45	Pin, Link
3	Nut, Hex, Jam 1"-14 R.H.	46	Arm, Reel**
4	Washer, Bearing Thrust	47	Screw, Set, Dog Point 3/4"-10 x 1 1/4" Lg.
5	Bearing, Ball (Fafnir No. 5206W)	48	Hub, Disc
6	Screw, Cap Hollow Head 3/8-16 x 2" Lg.	49	Screw, Socket Head 1/2"-13 x 1" Lg.
7	Plate Retainer	50	Retainer, Front Bearing
8	Wheel, Hand	51	Sleeve, Oil Seal
9	Pin, Handle Spring	52	Seal, Oil (C.R. No. 42426)
10	Pin, Roll (Esna No. 59-062-312-1250)	53	Bearing, Roller (Timken No. 594-592A)
11	Handle, Revolving ("Balcrank" Mach. No. H-29426)	54	Shaft, Spindle
12	Plate, Name, Lube, Handwheel	55	Key
13	Nut, Stop, Elastic 1/2"-20	56	Bearing, Roller (Timken No. 623-612)
14	Washer 17/32" I.D.	57	Nut, Lock, Bearing
15	Spring (Danly Die No. 9-1608-11)	58	Screw, Socket Head 1/4"-20 x 3/8" Lg.
16	Retainer, Bearing Adjusting Screw	59	Seal, Oil (C.R. No. 20004)
17	Screw, Adjusting	60	O-Ring ("National" No. 610183)
18	Key, Woodruff	61	Shim Set (Timken No. 19)
19	Nut, Adjusting Screw	62	Retainer, Rear Bearing
20	Sleeve, Spindle, Front	63	Pin, Drive
21	Screw, Cap, Hollow Head 3/8"-16 x 3 1/2" Lg.	64	Brake Unit, Electric
22	Tube, Spacer	65	Ring-Retaining (Waldes 5100-62)
23	Pin, Roll (Esna No. 59-062-312-0750)	66	Box, Conduit
24	Sleeve, Spindle, Rear	67	Ring, Retaining (Waldes 5100-175)
25	Plate, Disc	68	Hub
26	Screw, Cap, Socket Head 3/8"-16 x 1 3/4" Lg.	69	Screw, Cap, Hollow Head 1/2"-13 x 1" Lg.
27	Assembly Keeper Consisting of:	70	Plate, Name "CAUTION"
28	Bolt, Stripper	71	Plate, Name, Gear Case Lube
29	Body, Keeper Assembly	72	Plate, Name, Lube Sleeve, and Link Pivots
30	Bushing, Pivot	73	Ring, Tie Down, Ass'y "Puritas" No. 48B7796
31	Handle, Cam	74	Bushing, Bearing Case
32	Shoe, Front Clamp	75	Bearing, Roller (Timken No. 71450-71750)
33	Plate, Pressure	76	Post, Bearing Case
34	Pad, Pressure	77	Assembly, Brush
35	Cam, Eccentric	78	Screw, .250"-20 x .38" Lg.
36	Washer	79	Washer, Insulating 9/32" I.D. x 3/4" O.D. x 1/16" Thk.
37	Bushing (Oilite No. AA-1049-1)	80	Brush, Metal/Graphite (Helwig Grade 688 1/4" x 3/8" x 3/4" Lg. Style UQ-1-Bevel 0°)
38	Roller, Arm	81	Holder, Brush
39	Screw, Cap, Socket Head 3/8-16 x 1" Lg.	82	Contact, Brake
40	Pin, Roller	83	Screw
41	Bushing, Arm	84	Holder, Brake Contact
42	Pin, Lower Link	85	Bushing, Hardened Steel
43	Link*		

* Specify I. D. required.

** Specify whether for 12", 18" or 24" wide reel.

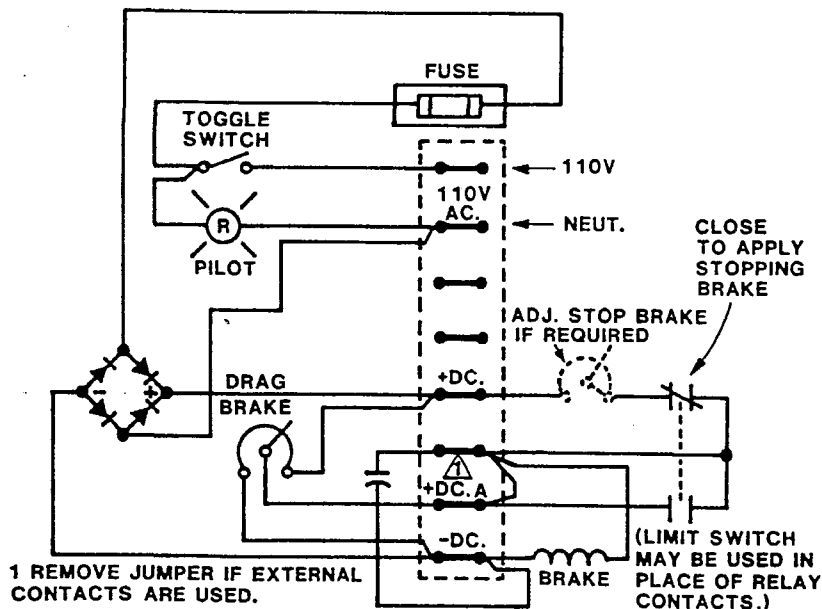
**NUMBER 40 DOUBLE AUTOMATIC CENTERING REEL
WITH ELECTRIC BRAKES**

LITTELL

ITEM NO.	DESCRIPTION
86	Screw, Set, Socket Head ¼"-20 x 1" Lg.
87	Plug, Oil Gauge (Gits No. 4054 Style No. BW20)
88	Power Pack, D.C.
89	Dial Plate, Rheostat
90	Knob, Rheostat
91	Cord, Power
92	Plate, Power Pack
93	Wrench, Ratchet, Reversible (Lowell No. 27)
94	Nut
95	Washer
96	Bushing (Oilite No. AA-1517-6)
97	Pointer, Indicator
98	Bearing, Thrust (Aetna No. E-13)
99	Screw, Cap, Hex Head ¾"-10 x 1¼" Lg.
100	Bracket, Adjusting Screw
101	Shim
102	Screw, Base Adjusting
103	Scale
104	Plate, Base
105	Base
106	Washer, Steel
107	Screw, Cap, hex Head 1"-8 x 3" Lg.
108	Screw, Flat Head, Self-Tapping ¼" x ¾"
109	Plate, Name
110	Plate, Cover

ITEM NO.	DESCRIPTION
111	Plate, CAUTION, Safety for Uncoiler
112	Plate, Name, CAUTION, Instruction/Compliance
113	Spring, Medium Pressure (Danly No. 9-2418-11)
114	Collar (Hallowell)
115	Rod, Lock
116	Pin (Esna No. 59-048-250-1250)
117	Lock, Rod End
118	Plug, Nylon
119	Nut, Stop, Elastic, ½" I.D.
120	Bolt ½" x 2¾" Lg.
121	Roller, Foot Lever
122	Trunnion, Foot Lever
123	Lever, Foot
124	Block, Foot Lever
125	Screw, Machine, Hex Head 3/8"-16 x ¾" Lg.
126	Nut, Stop, Elastic, ¾"-10
127	Washer, ¾" I.D.
128	Washer, Lock 3/8" I.D.
129	Plug, Pipe, .500" Thd.
130	Plate, Name, WARNING
131	Plate, Name, Reel and Coil Capacity
132	Cap, Top Case
133	Case, Bearing.

WIRING DIAGRAM



ELECTRICAL CONNECTION.

Connect the reel to the correct electrical voltage.

▲CAUTION

Be sure power source is correct for reel by checking voltage requirement on brake reel nameplate. Be sure that the power switch is in the "OFF" position.

▲CAUTION

TO PREVENT SERIOUS INJURY TO PERSONS INVOLVED WITH LITTELL SPINDLE UNCOILING AND RECOILING MACHINES, READ AND COMPLY WITH ALL OF THE SAFETY INSTRUCTIONS IN SAFETY AWARENESS REPORTS 100 AND 103.