

# LITTELL

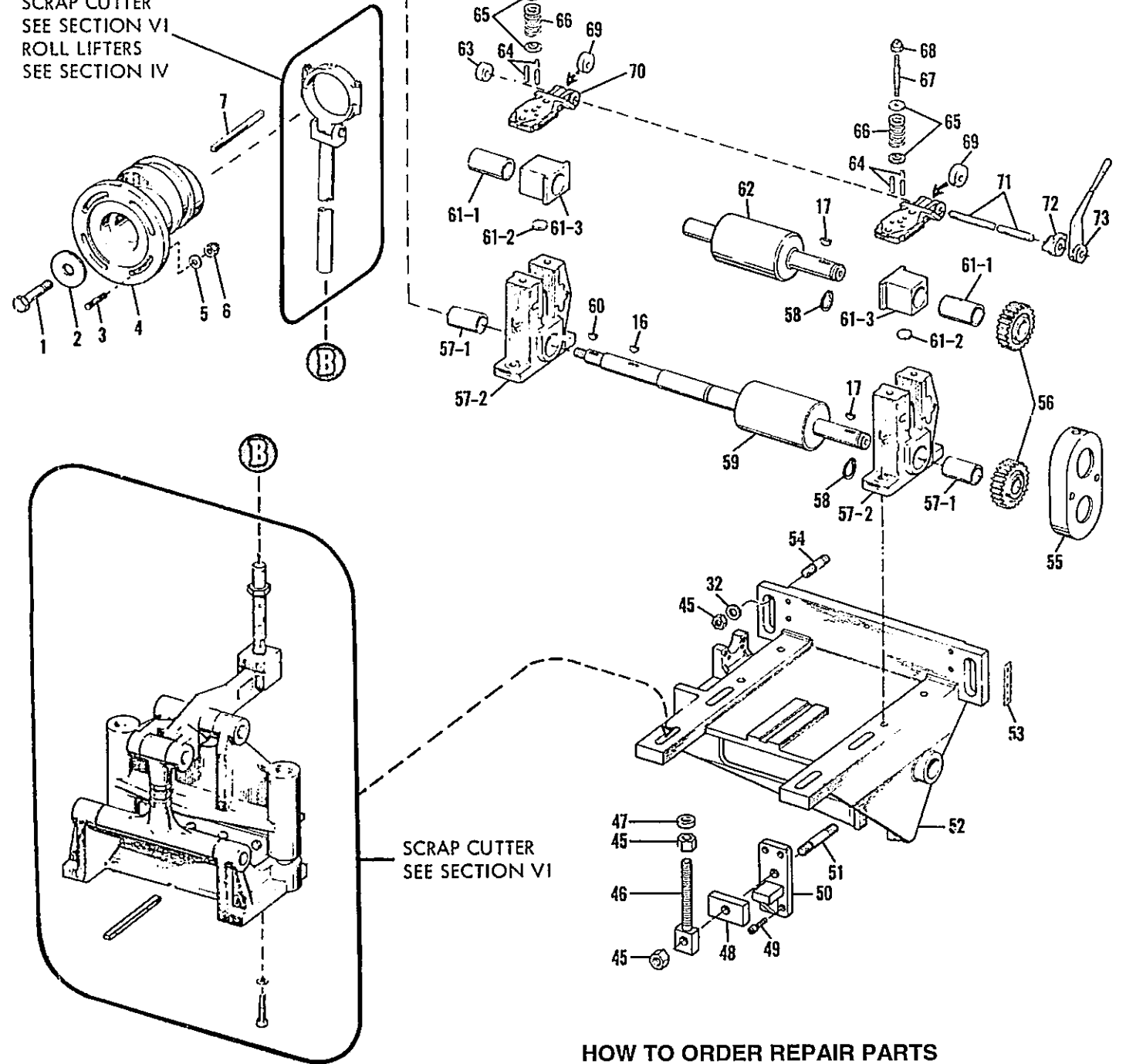
## SECTION II

### DOUBLE RACK AND PINION ROLL FEED MOUNTED ON BRACKETS

INDEX	
NO.	DESCRIPTION
1	Screw - Disc Hub Retainer
2	Washer - Hub Retainer
3	Stud - Disc Face
4	Hub - Eccentric Disc
5	Washer - Face Stud
6	Nut - Stop
7	Key - Disc Hub
8	Cap - Bearing Retainer (Open)
9	Seal - Oil
10	Bearing - Ball
11	Gasket - Bearing Cap
12	Gear - Spiral
13	Cap - Bearing Retainer (Closed)
14	Window - Oil
15	Housing - Spiral Gear
16	Key - Woodruff
17	Key - Woodruff
18	Shaft - Right Hand Drive
19	Ring - Snap for Coupling
20	Seal - for Coupling
21	Hub - Rigid (for Coupling)
22	Sleeve - for Coupling
23	Shaft - Drive - Center (with flexible hub)
24	Key - Woodruff
25	Shaft - Left Hand Drive
26	Assembly - Drive Housing and Cover Consisting of: 26-1 Cover Drive Housing 26-2 Bushing Drive Housing 26-3 Spacer Bushing 26-4 Housing - Drive 26-5 Plug - Pipe (Brass)
27	Assembly - Drive Hub Consisting of: 27-1 Cover Plate - Drive Hub 27-2 Insert - Threaded 27-3 Hub - Drive
28	Spring - Drive Hub
29	Plunger - Drive Hub
30	Roller - Drive Hub
31	Nut - Hex
32	Washer - Steel - Finished
33	Collar - Brake
34	Assembly - Brake Strap Consisting of: 34-1 Leather - Brake 34-2 Rivet - Brake Leather 34-3 Strap - Brake
35	Nut - Jam
36	Nut - Stop
37	Washer - Stop Nut

INDEX	
NO.	DESCRIPTION
38	Spring - Brake
39	Screw - Brake Strap
40	Spacer - Outer
41	Stud - Brake Anchor
42	Bracket - End Bearing
43	Bearing - Ball
44	Spacer - Inner
45	Nut - Hexagon Full
46	Screw - Jack
47	Bearing - Thrust
48	Bar - Clamp - Jack Screw
49	Screw - Jack Screw Bracket
50	Bracket - Jack Screw
51	Stud - Jack Screw
52	Bracket - Feed - Left Hand
53	Scale - Feed Adjusting
54	Stud - Feed Bracket
55	Guard - Gear
56	Gear - Roll
57	Assembly - Main Bearing Consisting of: 57-1 Bushing - Main Bearing 57-2 Bearing - Main
58	Ring - Retainer
59	Assembly - Lower Roll
60	Key - Woodruff
61	Assembly - Upper Roll Box Consisting of: 61-1 Bushing - Roll Box 61-2 Button - Roll Box 61-3 Roll Box - Upper
62	Assembly - Upper Roll
63	Collar - Main Bearing
64	Pin - Spring
65	Washer - Spring
66	Spring - Main Bearing
67	Stud - Main Bearing Spring
68	Nut - Stop
69	Cam - Eccentric
70	Cap - Main Bearing
71	Shaft - Lifter
72	Lug - Stop
73	Lever - Hand
74	Bracket - Feed - Right Hand
75	Name Plate
76	Screw - Hold Down
77	Oiler - Hold Down
78	Hold Down
79	Collar - Spacer
80	Bolt - Eye
81	Spring - Return
82	Handle - Machine

SCRAP CUTTER  
SEE SECTION VI  
ROLL LIFTERS  
SEE SECTION IV



SCRAP CUTTER  
SEE SECTION VI

#### HOW TO ORDER REPAIR PARTS

When ordering repair parts, please specify the following:

1. Serial number of the roll feed unit.
2. Index number and part name from illustration and parts list.
3. Page number of the repair parts list.

EXAMPLE:

Illustration Index No.	Part Name	Roll Feed Serial Number	Repair Parts List Page Number
9	Seal - oil	70000-62	2-1-A