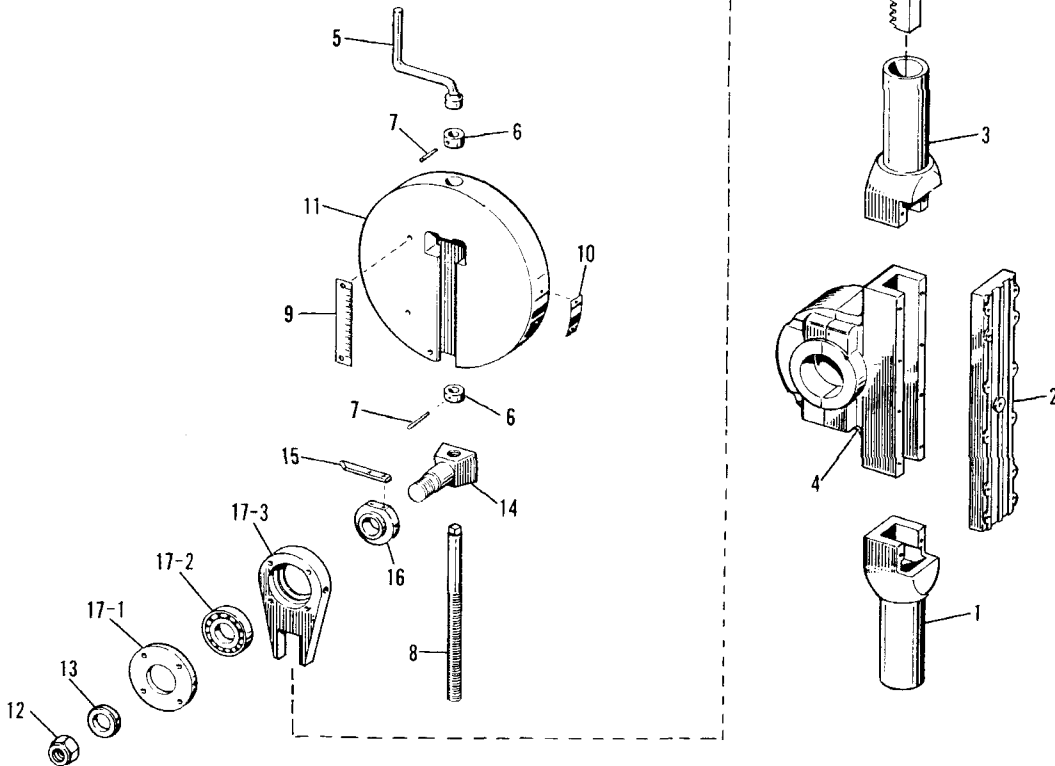


SECTION V

BALL-BEARING RACK



The new style ball bearing rack is now supplied on all Littell Feeds. The components or the parts shown in this exploded view are the parts that determine the amount of throw of the rack and therefore the feed length. Excessive wear or looseness on any of these parts will cause inaccuracies in the feed length. The slider block, item 14, the adjusting screw, item 8, the ball bearing rack assembly, item 17, should all be checked frequently. Where excessive wear shows, they should be replaced to insure accuracy of feed length.



INDEX NO.	DESCRIPTION
1	Guard - Lower Rack
2	Cover - Rack Guide
3	Guard - Upper Rack
4	Guide Assembly - Rack
5	Wrench - Adjusting Screw
6	Collar - Adjusting Screw
7	Pin - Taper
8	Screw - Adjusting*
9	Scale - Feed
10	Plate - Timing
11	Disc Face

INDEX NO.	DESCRIPTION
12	Nut - Slider Block
13	Spacer - Front Bearing
14	Slider Block
15	Pointer - Slider Block
16	Spacer - Bearing Rear
17	Assembly - Ball-bearing Rack Consisting of: 17-1 Plate - Cover 17-2 Bearing - Ball 17-3 Rack End 17-4 Rack

* Use new collars (6) when assembling a new adjusting screw (8), which must be drilled at assembly for taper pins (7).