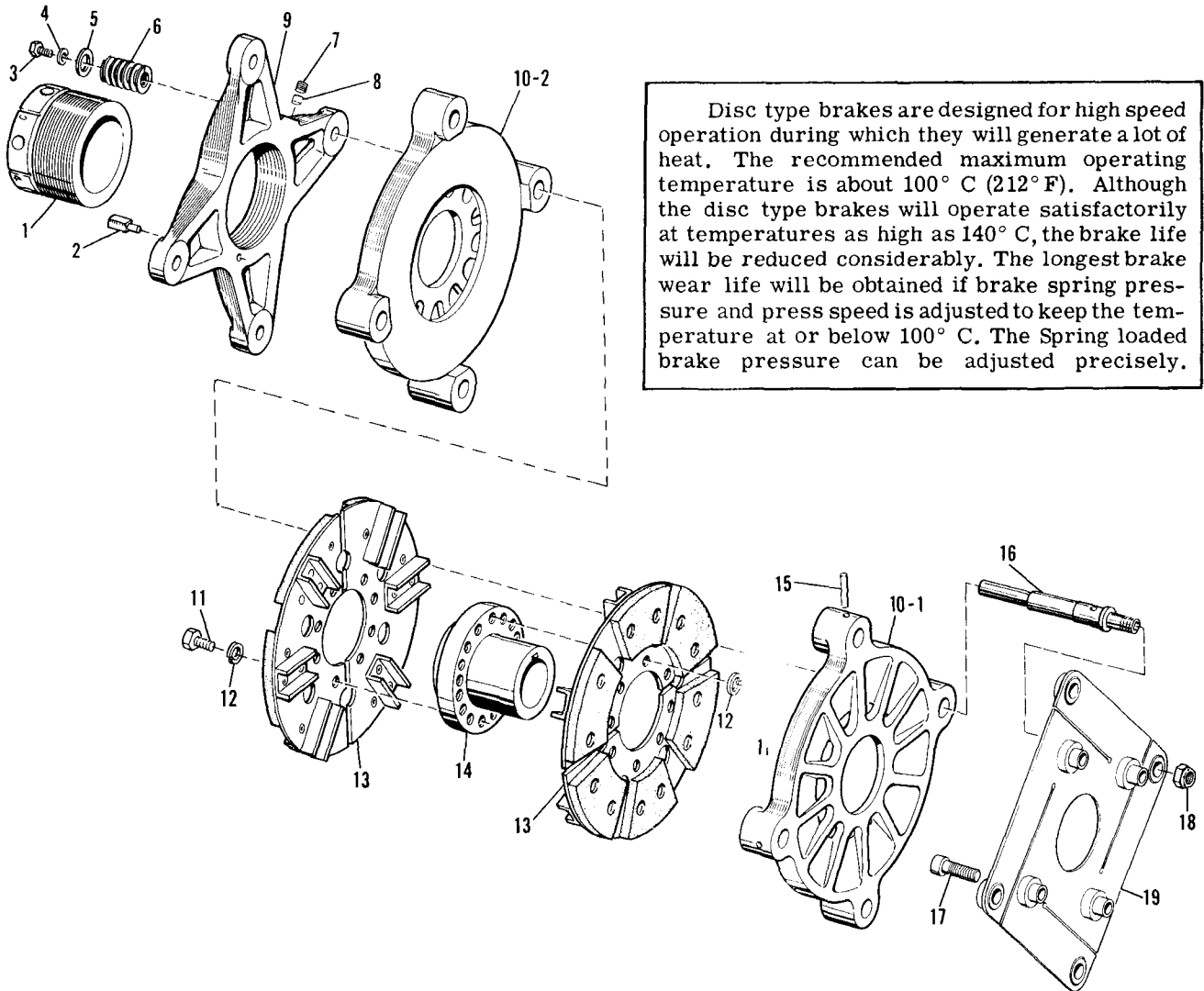


# SECTION III

## MECHANICAL DISC BRAKE



Disc type brakes are designed for high speed operation during which they will generate a lot of heat. The recommended maximum operating temperature is about 100° C (212° F). Although the disc type brakes will operate satisfactorily at temperatures as high as 140° C, the brake life will be reduced considerably. The longest brake wear life will be obtained if brake spring pressure and press speed is adjusted to keep the temperature at or below 100° C. The Spring loaded brake pressure can be adjusted precisely.

INDEX NO.	DESCRIPTION
1	Sleeve - Adjusting
2	Pin - Adjustment Gauge
3	Screw - Retainer
4	Washer - Lock
5	Washer - Brake Spring
6	Spring - Brake
7	Screw - Lock
8	Plug - Lock
9	Spider - Adjusting
10-1	Plate - Brake - Inner
10-2	Plate - Brake - Outer

INDEX NO.	DESCRIPTION
11	Screw - Brake Disc
12	Washer - Lock, Brake Disc
13	Disc and Lining Assembly*
14	Hub - Brake
15	Pin - Roll
16	Stud - Brake Plate
17	Screw - Socket-head Cap
18	Nut - Mounting Plate
19	Brake Mounting Plate Assembly - Right-hand**

\* Can be relined by factory at a nominal charge.  
 \*\* Right-hand assembly (shown) used with roll shaft turning clockwise as seen from adjusting sleeve end; left-hand assembly (not shown) used with counterclockwise rotation.