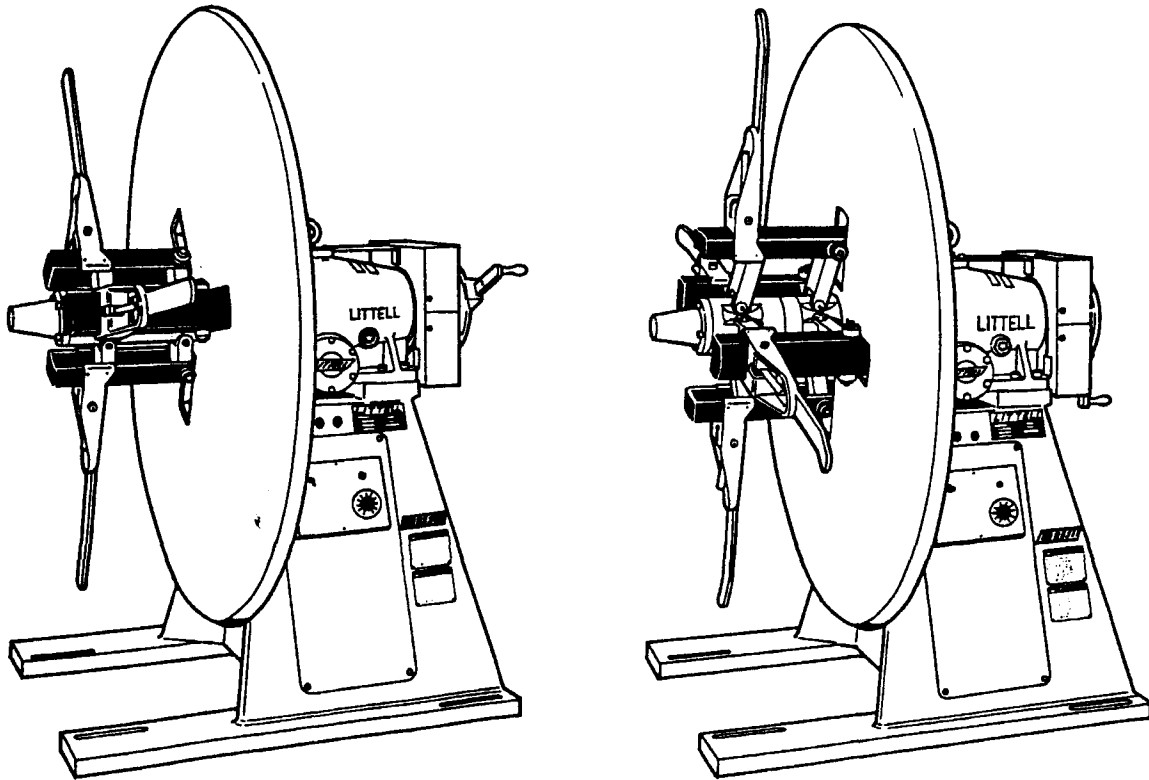


**NUMBER 40 SINGLE AUTOMATIC
CENTERING REEL WITH ELECTRIC BRAKE**



SPECIFICATIONS

SIZE OF REEL	40 - 12	40 - 18	40 - 24	40 - 36
MAX WIDTH	12"	18"	24"	36"
MAX WEIGHT OF COIL	4000 LBS			3000 LBS
4 ARM - COIL INSIDE DIA.	15" - 20" or 19" - 24"			
3 ARM - COIL INSIDE DIA.	12" - 14"			
MAX OUTSIDE DIA.	60"			

LITTELL INTERNATIONAL, INC.

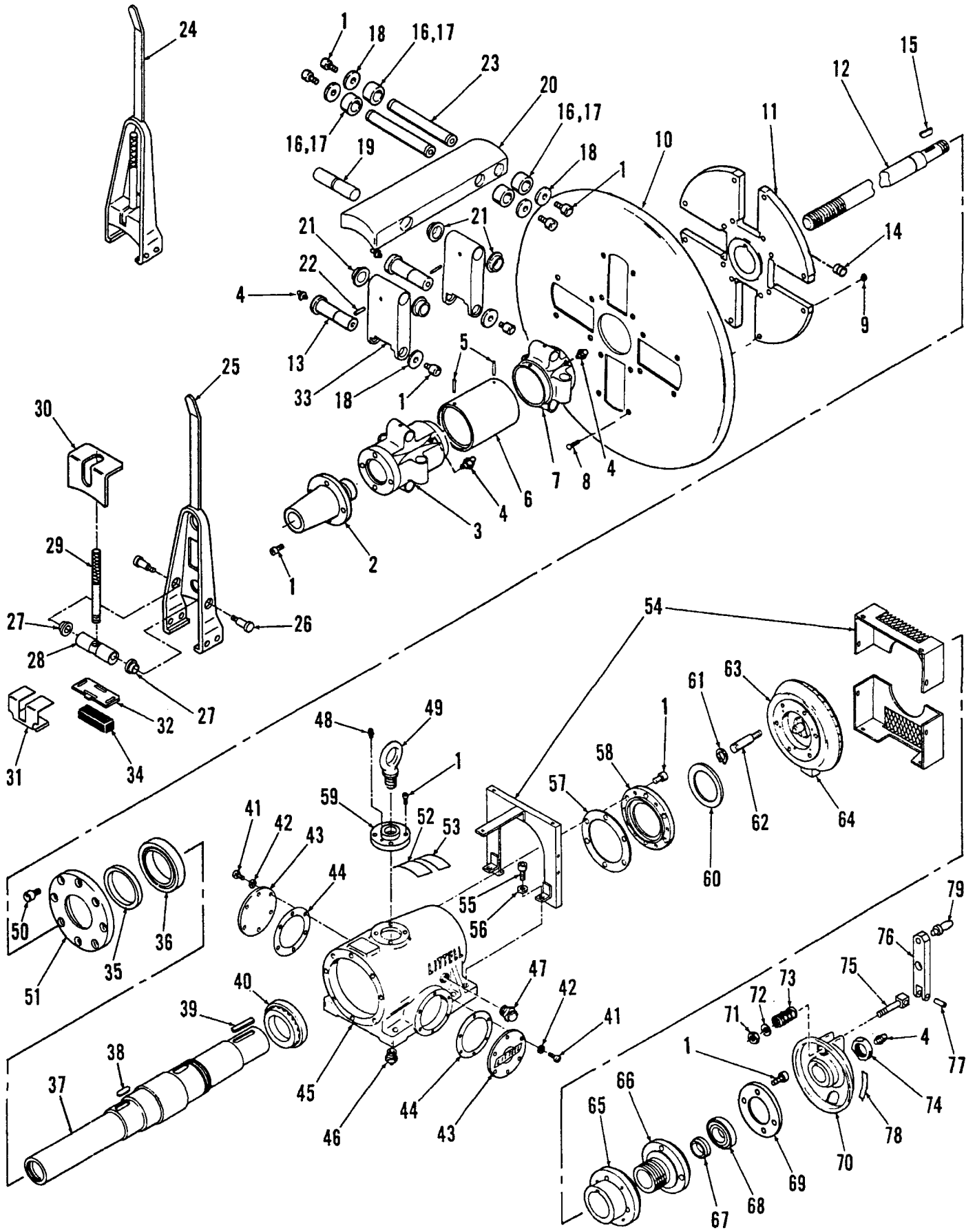
145 SWIFT ROAD, ADDISON, ILLINOIS 60101-1407, U.S.A.
AREA CODE: (708) 916-6662 LITTELL TELEFAX: (708) 916-6663
SERVICE DEPARTMENT TELEFAX: (708) 916-6664

LITTELL NO. 40 SINGLE AUTOMATIC CENTERING REEL
WITH ELECTRIC BRAKE

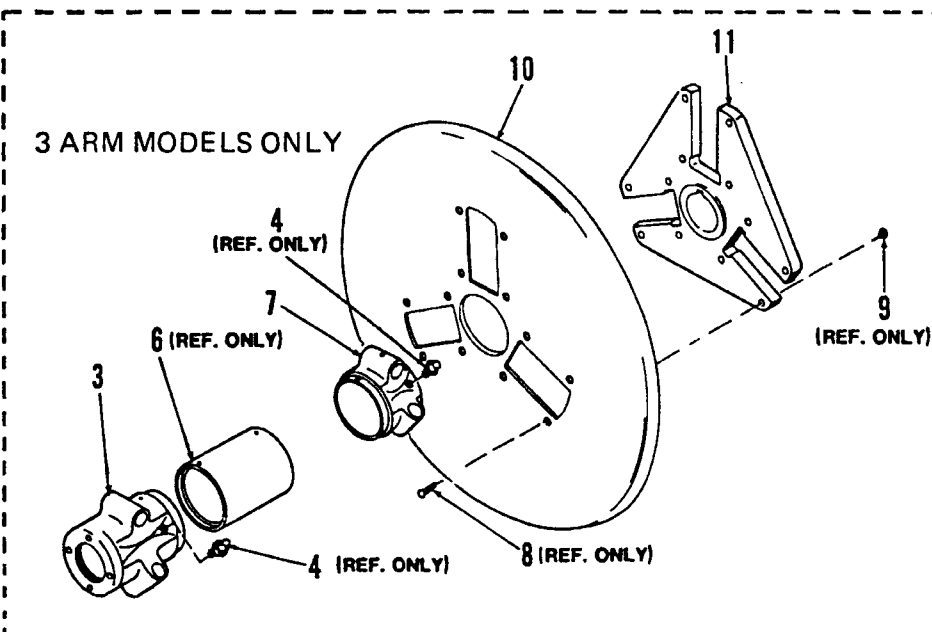
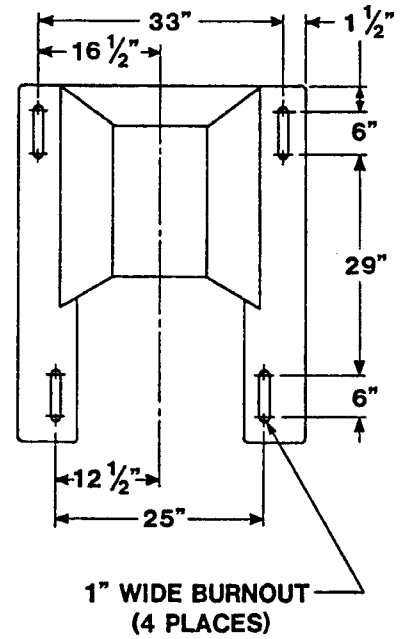
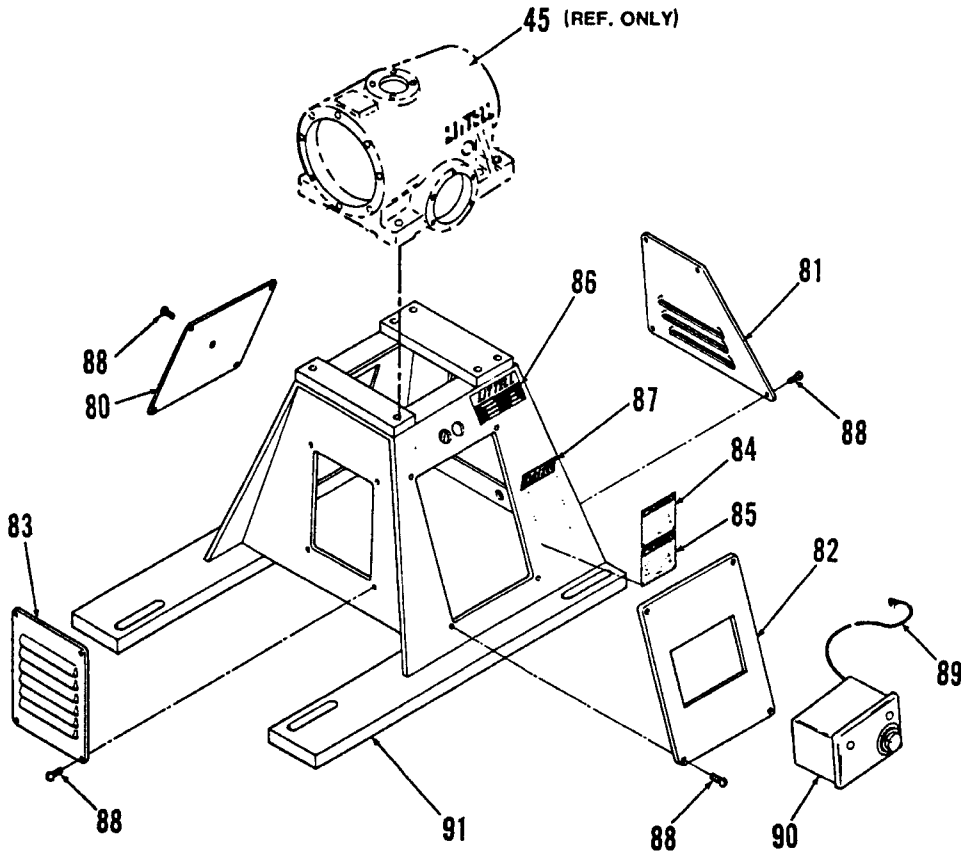
CONTENTS

EXPLODED VIEWS 3 - 4
PARTS LIST 5
WIRING DIAGRAM 6

NO. 40 SINGLE AUTOMATIC CENTERING REEL WITH ELECTRIC BRAKE **LITTELL**



LITTELL NO. 40 SINGLE AUTOMATIC CENTERING REEL WITH ELECTRIC BRAKE



IMPORTANT
 When ordering repair parts, specify item number plus serial number, and give of machine. Send all repair part orders to the Addison factory. Area code: (708) 916-6662, Repair Dept.

**NO. 40 SINGLE AUTOMATIC CENTERING REEL
WITH ELECTRIC BRAKE**

LITTELL

PARTS LIST

ITEM NO.	DESCRIPTION
1	Screw, Hol. Hd. Cap 3/8-16 x 1" Lg.
2	Nut, Adjusting Screw
3	Sleeve, Front Sleeve
4	Fitting, Grease 1/8 NPT
5	Pin, Roll, "ESNA"
6	Tube, Spacer*
7	Sleeve, Rear Sleeve
8	Screw, Hex. Hd. 3/8-16 x 1 3/4" Lg.
9	Nut, Flexlock 3/8-16
10	Plate, Disc Hub
11	Hub, Disc
12	Screw, Adjusting*
13	Pin, Link, Lower
14	Screw, Hol. Hd. Set 3/4-10 x 1 1/2" Lg.
15	Key, Woodruff No. 15
16	Bushing, "OILITE"
17	Roller
18	Washer
19	Pin, Link
20	Arm, Reel*
21	Bushing, Arm
22	Pin, Roll, "ESNA"
23	Pin, Roller
24	Extension, Keeper, Front (Assembled)
25	Frame, Keeper
26	Screw, "DANLY" Shoulder
27	Bushing, Flange, Pivot, Keeper
28	Cam, Eccentric
29	Handle, Cam, Keeper
30	Plate, Cover, Keeper
31	Shoe, Clamp, Front Keeper
32	Plate, Pressure, Keeper
33	Link †
34	Pad, Rubber
35	Seal, Oil
36	Bearing, Roller, "TIMKEN"
37	Shaft, Spindle*
38	Key, Feather
39	Key, Feather
40	Bearing, Roller, "TIMKEN"
41	Screw, Hex. Hd. 3/8-16 x 1" Lg.
42	Washer, Lock 3/8" I.D.
43	Plate, Cover
44	Gasket, Paper
45	Case, Gear
46	Plug, Magnetic, "LISLE"

ITEM NO.	DESCRIPTION
47	Gauge, Oil, "GITS"
48	Breather, "SCOVILL" Vent
49	Bolt, Eye, "WILLIAMS"
50	Screw Hol. Hd. Cap 1/2-13 x 1" Lg.
51	Retainer, Front
52	Plate, Name, Oil for Gear Housing
53	Plate, Name, 10 Points Lube Sleeve, Link Pivots and Spindle
54	Guard, Brake
55	Screw, Hol. Hd. Cap 5/8-11 x 2 1/4" Lg.
56	Washer, Steel
57	Shim Set, "TIMKEN"
58	Retainer, Rear Bearing
59	Cover, Housing
60	Seal, Oil, "C.R."
61	Ring, Retaining, "WALDES"
62	Pin, Drive
63	Brake, Elec., Tension "W.E."
64	Box, Conduit
65	Hub, Brake
66	Retainer, Bearing
67	Washer, Bearing Thrust
68	Bearing, Ball, "FAFNIR"
69	Plate, Retainer
70	Handwheel
71	Nut, Elastic Stop 1/2-20
72	Washer, Flat 1/2" I.D.
73	Spring, "DANLY DIE"
74	Nut, Hex. Jam 1"-14
75	Pin, Handle, Spring
76	Bar, handle
77	Pin, Roll
78	Plate, Name, Lube Handwheel
79	Handle, Mach. "BALCRANK"
80	Plate, Cover
81	Plate, Cover
82	Plate, Power Pack
83	Plate, Cover
84	Plate, Caution
85	Plate, Caution
86	Plate, Name, Reel
87	Plate, Name "LITTELL"
88	Screw, Bind. Hd. 3/4-20 x 3/8" Lg.
89	Cord, Power
90	Power Pack, "HUSSMAN"
91	Base

* Specify whether For 12", 18", 24", or 36" Wide Reel

† Specify I.D. Required

LITTELL NO. 40 SINGLE AUTOMATIC CENTERING REEL WITH ELECTRIC BRAKE

WIRING DIAGRAM

