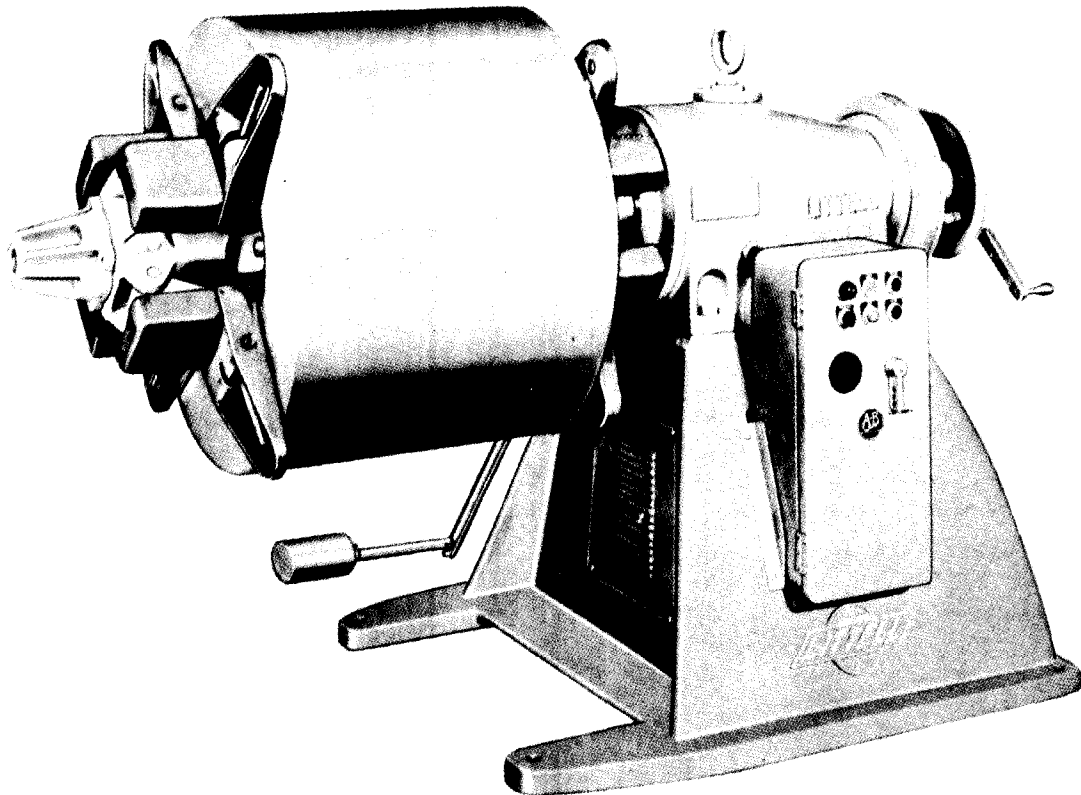


# PARTS LIST AND OPERATING INSTRUCTIONS FOR NUMBER 60 AND NUMBER 90 MOTOR DRIVEN AUTOMATIC CENTERING REEL



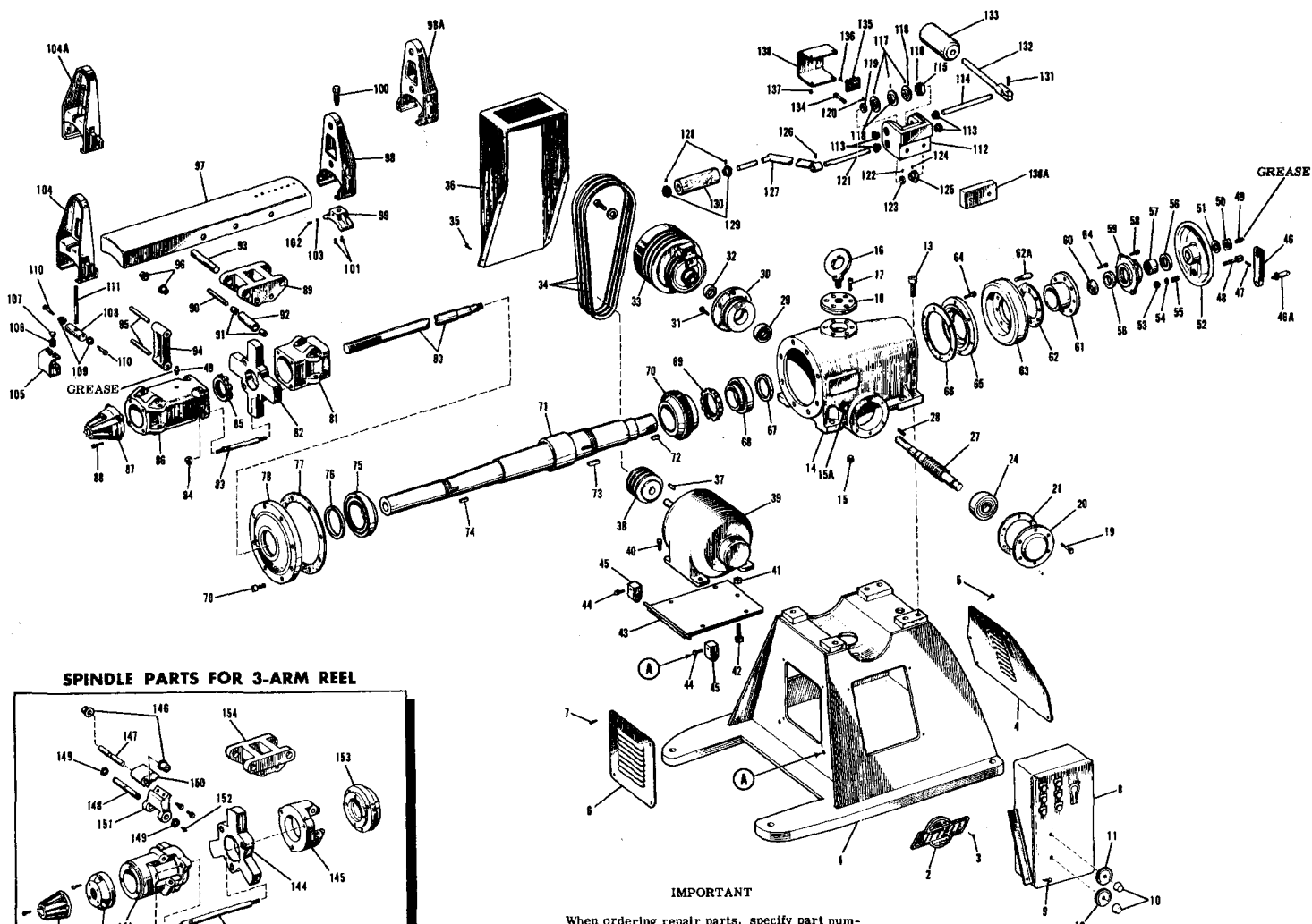
### CAPACITIES

SIZE OF REEL	60-24	60-30	60-36	90-30	90-36	90-48
MAX WEIGHT OF COIL	6000 lbs	6000 lbs	6000 lbs	10000 lbs	10000 lbs	10000 lbs
INSIDE DIA.	20"-24" or 16"-20"	20"-24" or 16"-20"	20"-24" or 16"-20"	20"-24" or 16"-20"	20"-24" or 16"-20"	20"-24" or 16"-20"
MAX OUTSIDE DIA.	48"	48"	48"	48"	48"	48"
MAX WIDTH	24"	30"	36"	30"	36"	48"

## F. J. LITTELL MACHINE CO.

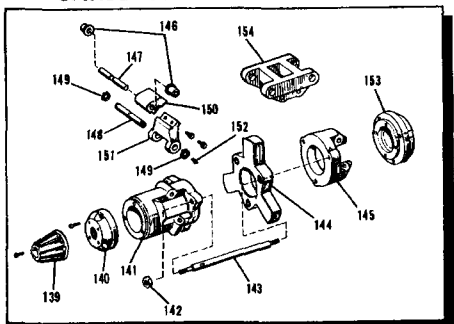
4101 N. RAVENSWOOD AVENUE

CHICAGO, ILLINOIS 60613



INDEX NO.	DESCRIPTION	PART NUMBER	
		#60 REEL	#90 REEL
1	Base	48D 35806	46D 35863
2	"Littell" Serial Name Plate	24B 34003	24B 34003
3	Self-Tapping Flat Hd. Screw (Phillips)	1/4"-20	1/4"-20
4	Rear Cover Plate	46A 35885	46A 35885
5	Round Head Screw	1/4"-20	1/4"-20
6	Front Cover Plate	46A 35886	46A 35886
7	Round Head Screw	1/4"-20	1/4"-20
8	"Allen Bradley" Panel	95 91605	95 91605
9	Round Head Screw	5/16"-18	5/16"-18
10	Rheostat with Knob #11808	94 90577	94 90577
11	Rheostat Clutch Dial Plate	45A 35765	45A 35765
12	Rheostat Brake Dial Plate	45A 35747	45A 35747
13	Hollow Head Cap Screw	1"-8 Soc Hd.	1"-8 Soc Hd.
14	Gear Case	46C 35838	46C 35907
15	Taper Plug	3/4" Pipe	3/4" Pipe
15A	Oil Gauge - "GITS" #4044	46 90849	46 90849
16	Shoulder Type Eye Bolt	46A 37698	46A 37698
17	Hollow Head Cap Screw	1/2"-13 Soc Hd.	1/2"-13 Soc Hd.
18	Gear Case Cover	46A 35882	46A 35882
19	Hex. Bolt	1/2"-14	1/2"-13
20	Cover Gear Case (Cleveland)	SK-4578	SK-4429
21	Shim (Cleveland)	Z112-CG	N-820
22	Deleted		
23	Deleted		
24	Roller Bearing "Timken"	#HM-803149 HM-803110	#615-612
25	Deleted		
26	Deleted		
27	Worm & Shaft (Cleveland)	6A35F-S1	7A25F-S1
28	Key (Cleveland)	3/8" x 3/16"	3/8" x 3/16"
29	Roller Bearing "Timken"	6277-6220	#615-612
30	Bearing Ret. "Timken"	SK-4430	SK-4428
31	Hex. Head Bolt	1/2"-20	1/2"-20
32	Oil Seal (Cleveland)	Z-1026-H	Z-1026-H
33	Clutch Assembly (90 Volts) (Warner)	46C 35851	46C 35928
34	V-Belt (Matched)	46 90766 (B-56)	43 90750 (B-65)
35	Round Head Screw	5/16"-18	5/16"-18
36	Drive Sheave Guard	46B 35830	46B 35905
37	Key	1/4" x 1/8"	5/16" x 5/32"
38	Sheave	46 90790	99 90792
39	Motor	91 90661(3 H.P.)	91 90673(5 H.P.)
40	Hex. Bolt	1/2"-13	1/2"-13
41	Hex. Nut	3/4"-10	3/4"-10
42	Motor Platform Mfg. Screw	3/4"-10"	3/4"-10
43	Motor Platform	46A 35823	46A 35888
44	Pivot Bracket Mfg. Bolt	5/8"-11	5/8"-11
45	Pivot Bracket	46A 35869	46A 35889
46	Handle Bar	46A 35818	46A 35879
46A	Handle	45 90392	45 90392
47	Handle Hinge Pin	46A 35860	46A 35860
48	Handle Spring Pin	46A 35881	46A 35881
49	Grease Fitting	1/8" Zerk	1/8" Zerk
50	Hex. Full Jam Nut	1-1/2"-12	1-3/4"-5
51	Washer	10 23492	10 34146
52	Handwheel	46B 35884	46B 35914

**SPINDLE PARTS FOR 3-ARM REEL**



**IMPORTANT**

When ordering repair parts, specify part number plus serial number, code number and size of machine. Send all repair parts orders to the Chicago factory.

# No. 60 AND No. 90 MOTOR DRIVEN AUTOMATIC CENTERING REEL



## PARTS LIST

INDEX NO.	DESCRIPTION	PART NUMBER	
		#60 REEL	#90 REEL
53	Hex. Full Elastic Stop		
	Nut . . . . .	1/2"-20	1/2"-20
54	Washer . . . . .	C.	C.
55	Spring (Danly) . . . . .	46 90007	46 90007
56	Bearing (Aetna) . . . . .	41 90114	43 90115
57	Needle Bearing . . . . .	46 90993	43 90199
58	Hollow Head Cap Screw . . . . .	3/8"-16	1/2"-20
59	Adjusting Screw Bearing Retainer . . . . .	46B 35840	46B 35913
60	Bearing Collar . . . . .	46A 12003	43A 13662
61	Brake Hub . . . . .	46A 35849	46B 35918
62	Gasket (Warner Electric) . . . . .	C.	C.
62A	Brake Pin . . . . .	24871	24871
63	Brake (Warner Electric) . . . . .	46 90855	46 90856
64	Hollow Head Cap Screw . . . . .	1/2"-20	1/2"-20
65	Rear Bearing Retainer . . . . .	46B 35842	46B 35915
66	Gasket (Warner Electric) . . . . .	C.	C.
67	Oil Seal . . . . .	46 90996	43 90743
68	Roller Bearing "Timken" . . . . .	46 90155	46 90155
69	Nut . . . . .	46 90456	43 90454
70	Worm Gear . . . . .	6A11G-B1	Z1102
71	Spindle Shaft ** . . . . .	46C 35807	46C 35901
72	Key Brake Hub . . . . .	46A 35829	46A 35829
73	Key . . . . .	1" x 1" x 4" Lg.	1" x 1-1/4" x 4-1/2" Lg.
74	Key . . . . .	46A 35877	46A 35877
75	Roller Bearing "Timken" . . . . .	46 90157	43 90158
76	Oil Seal . . . . .	46 90708	42 90709
77	Gasket . . . . .	LITTELL	LITTELL
78	Front Bearing Retainer . . . . .	46B 35843	46B 35908
79	Hollow Head Cap Screw . . . . .	1/2"-20	5/8"-11
80	Adjusting Screw** . . . . .	46B 35812	46B 35864
*81	Rear Spindle Sleeve . . . . .	46B 35841	46B 35911
*82	Spider . . . . .	46B 35817	46B 35863
*83	Connecting Rod** . . . . .	46 23416	46B 35873
84	Nut . . . . .	3/4"-16	3/4"-16
85	Locknut "Timken" . . . . .	46 90452	43 90455
*86	Front Spindle Sleeve . . . . .	46C 35837	46C 35910
*87	Adjusting Screw Nut . . . . .	46B 35839	46B 35912
88	Hollow Head Cap Screw . . . . .	3/8"-16	1/2"-20
*89	Roller Bracket . . . . .	46C 35836	46C 35917
90	Roller Pin . . . . .	46A 35819	46A 35870
91	Oilite Bushing . . . . .	46 90342	46 90377
92	Roller . . . . .	46A 35820	46A 35868
93	Roller Bracket Pin . . . . .	46A 35872	46A 35872
*94	Link . . . . .	46B 35845	46B 35916
95	Link Pin . . . . .	46A 35871	46A 35871
96	Superoilite Bushing . . . . .	46A 35869	46A 35869
97	Spindle Arm ** . . . . .	46 40637	46 40637
98	Rear Keeper . . . . .	46 35855	46 35855
98A	Rear Keeper Assembly . . . . .	46C 35923	46C 35923
99	Shoe . . . . .	46B 35919	46B 35919
100	Adjusting Screw . . . . .	46A 35891	46A 35891
101	Cap Screw . . . . .	1/4"-20	1/4"-20
102	Set Screw . . . . .	5/16"-18	5/16"-18
103	Detent Ball . . . . .	1/4" Dia.	1/4" Dia.
104	Front Keeper Frame . . . . .	46C 24064	46C 24064
104A	Front Keeper Assembly . . . . .	46C 35922	46C 35922
105	Shoe . . . . .	46B 34390	46B 34390
106	Spring (Danly) . . . . .	42 90032	42 90032
107	Spring Button . . . . .	46A 34943	46A 34943
108	Cam . . . . .	46A 34891	46A 34891
109	Bushing . . . . .	46A 35857	46A 35857

INDEX NO.	DESCRIPTION	PART NUMBER	
		#60 REEL	#90 REEL
110	Socket Head Stripper Bolt (Danly) . . . . .	1/2" x 1	1/2" x 1
111	Handle . . . . .	46A 35856	46A 35856
112	Control Arm Bracket . . . . .	46B 20483	46B 20483
113	Bushing . . . . .	46A 35869	46A 35869
114	Counterweight Pin . . . . .	46A 37469	46A 37469
115	Spur Gear (B. G. W. #ND-24B) . . . . .	46A 37482	46A 37482
116	Set Screw . . . . .	C.	C.
117	Set Screw . . . . .	C.	C.
118	Cam . . . . .	46A 35824	46A 35824
119	Collar . . . . .	15 90440	15 90440
120	Set Screw . . . . .	C.	C.
121	Control Arm Pin . . . . .	46A 37468	46A 37468
122	Set Screw . . . . .	C.	C.
123	Deleted Same as 119. . . . .		
124	Set Screw . . . . .	C.	C.
125	Deleted Same as 115. . . . .		
126	Set Screw . . . . .	C.	C.
127	Control Arm . . . . .	46B 37458	46B 37458
128	Set Screw . . . . .	C.	C.
129	Ball Bearing (Schatz #CS 2035 x 1) . . . . .	46 91131	46 91131
130	Wood Roller . . . . .	46A 37457	46A 37457
131	Hollow Head Cap Screw . . . . .	3/8"-16	3/8"-16
132	Counterweight Lever . . . . .	46A 35804	46A 35804
133	Counterweight . . . . .	46A 35805	46A 35805
134	Hollow Head Cap Screw . . . . .	1/2"-20	1/2"-20
135	Limit Switch (Sq. D) Class 9007 - Type AB2 . . . . .	93 90629	93 90629
136	Round Head Screw . . . . .	1/4 Rd. Hd.	1/4 Rd. Hd.
137	Round Head Screw . . . . .	3/8 Rd. Hd.	3/8 Rd. Hd.
138	Control Arm Assembly Cover . . . . .		
138A	Plate Mounting . . . . .	46A 20619	46A 20619

SPINDLE PARTS FOR 3-ARM REEL			
139	Nose Cone . . . . .	46C 21687	46C 21687
140	Adjusting Screw Retainer . . . . .	46 21684	46B 21683
141	Front Spindle Sleeve . . . . .	46D 21681	46D 21680
142	Nut . . . . .	3/4"-16	3/4"-16
143	Connecting Rod** . . . . .	46B 35864	46B 35864
144	Spider . . . . .	46 21677	46C 21676
145	Rear Spindle Sleeve . . . . .	46D 21675	46D 21674
146	Special Bushing . . . . .	46A 35869	46A 35869
147	Upper Link Pin . . . . .	46A 21957	46A 35871
148	Lower Link Pin . . . . .	46A 21682	46A 21682
149	Tru-ARC Ring #5100-87 . . . . .	33 90009	33 90009
150	Upper Link . . . . .	43B 21988	43B 21988
151	Lower Link . . . . .	43B 21987	43B 21987
152	Roll Pin - "ESNA" - #59-048-250-1875 . . . . .	C.	C.
153	Adjusting Screw Retainer . . . . .	46 21686	46B 21685
154	Roller Bracket . . . . .	46C 21678	46C 21678

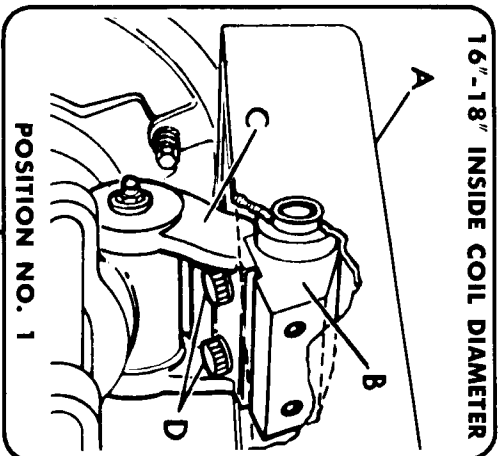
\*Used on 4-Arm Reels only.

\*\*Specify whether for 24", 30", 36" or 48" wide Reel.

# FOR 3 ARM 60 AND 90 REELS

## INSTRUCTIONS FOR CHANGING RANGE OF REEL DIAMETERS

16"-18" INSIDE COIL DIAMETER



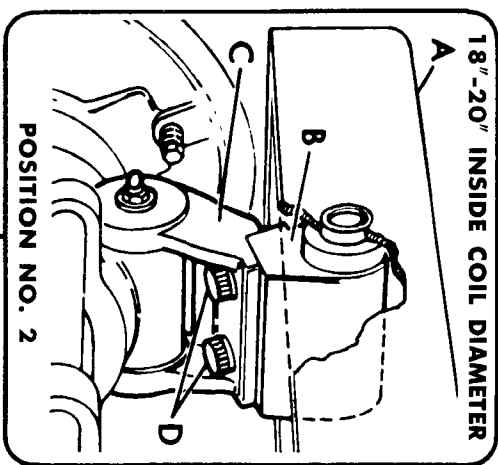
TO ACCOMMODATE 16"-18" OF 18"-20" INSIDE COIL DIAMETERS:

1. Expand arms fully by turning hand-wheel clockwise.
2. Rotate arm (A) to 12 o'clock position (top of reel).
3. Remove two screws (D) using  $\frac{3}{8}$ " Allen wrench.
4. Lift arm (A) and rotate upper link (B) to desired position (No. 1 or No. 2).
5. Secure lower link (C) to upper link (B) with two screws (D).
6. Repeat procedure for links at other end of arm.
7. Repeat steps (2) through (6) for other two arms.

TO INSTALL AUXILIARY ARMS\*

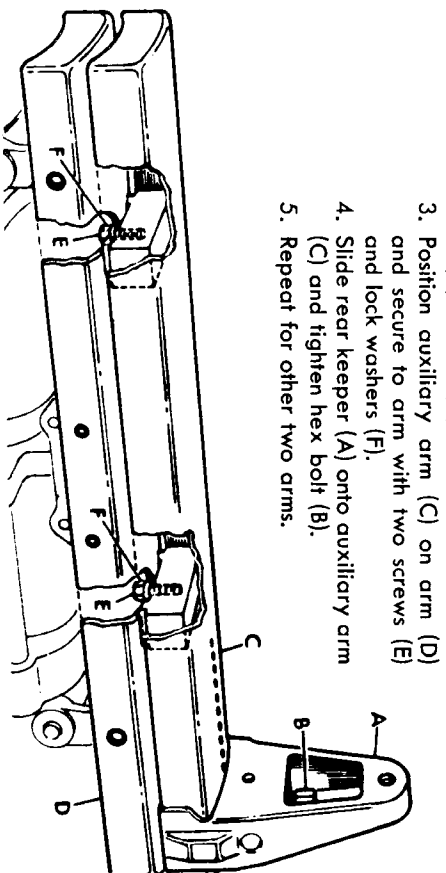
1. Rotate arm to 12 o'clock position.
2. Loosen hex bolt (B) and slide rear keeper (A) off arm (D).
3. Position auxiliary arm (C) on arm (D) and secure to arm with two screws (E) and lock washers (F).
4. Slide rear keeper (A) onto auxiliary arm (C) and tighten hex bolt (B).
5. Repeat for other two arms.

18"-20" INSIDE COIL DIAMETER



TO ACCOMMODATE 24"-26" INSIDE COIL DIAMETER INSTALL AUXILIARY ARMS\*

TO ACCOMMODATE 22"-24" INSIDE COIL DIAMETER INSTALL AUXILIARY ARMS\*



\*Not supplied on standard reel. Available for large I.D. at additional cost.